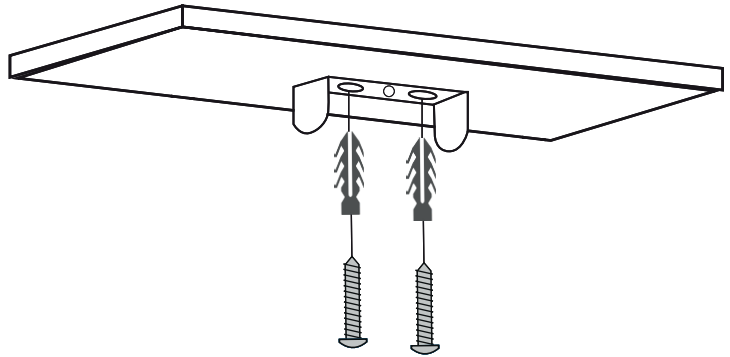
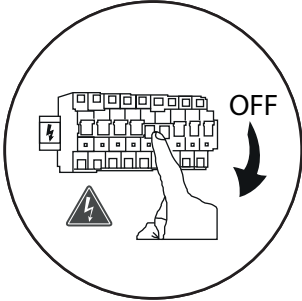
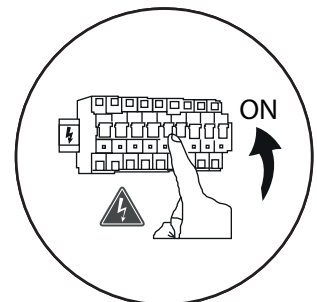
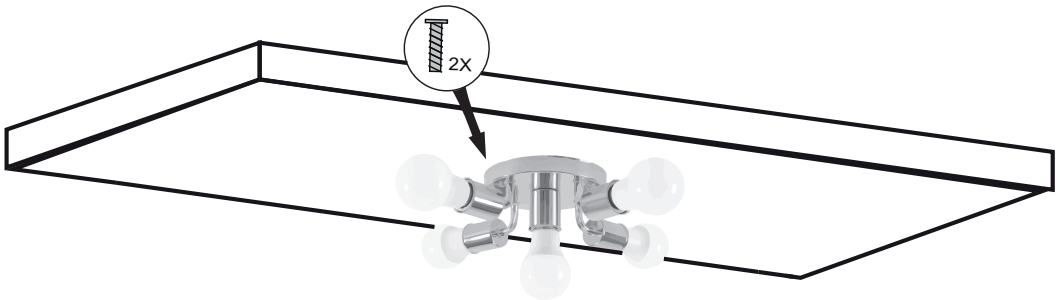


APP705-5C



1



2